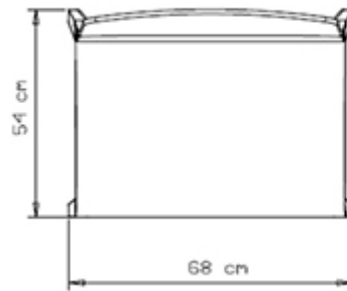
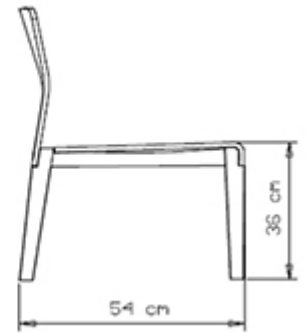
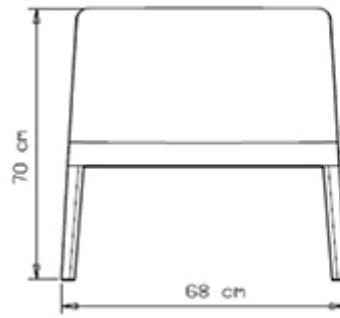


Dalton 664

DALTON COLLECTION:

Dalton 661, Dalton 662, Dalton 663, Dalton 664, Dalton 614,
Dalton 615, Dalton 616,



4-leg lounge chair with ash wood frame. Upholstered seat and back.

WEIGHT

10,1Kg

PACK

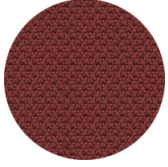
0,39 m³

PIECES PER BOX

1

FINISHES SEATING

TE FABRICS



Alba
+ 8 colors



Aragon
+ 14 colors



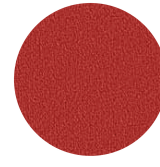
Melva
+ 5 colors



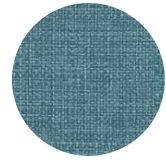
Fortis + 8 colori



Roccia
+ 8 colors



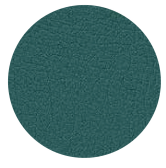
Amsterdam
+ 8 colors



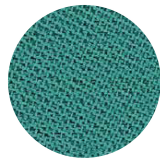
Medley Gabriel
+ 15 colors



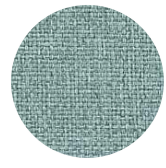
Mirage
+ 8 colors



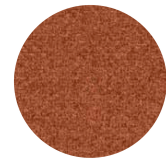
Inca
+ 14 colors



Chili Gabriel
+ 8 colors



Convert
+ 7 colors



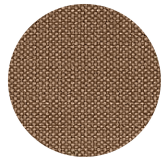
Fenice
+ 8 colors



Mood Gabriel
+ 8 colors



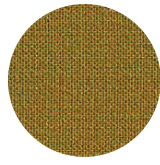
Valencia
+ 14 colors



Reviva Hero
+ 10 colors
☀



Fabthirty Rubelli
+ 8 colors
☀



Remix 3 Kvadrat
+ 15 colors



Ocean Mastrotto
+ 15 colors

NOTE

Resources

[3ds](#)  | [dwg](#) 

FRAMES

LE WOOD



Ash | Honey stained



Ash | Chesnut stained



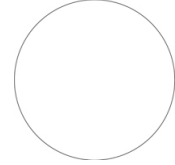
Ash | Grey stained



Ash | Dark brown stained



Black stained ash wood



Ash wood, Stained according to sample

CERTIFICATIONS

- > UNI/EN 16139:2013 - Par.6. Prova 12. Prova di carico statico delle gambe anteriori: 2-Usò estremo (05/15/17)
- > UNI/EN 16139:2013 - Par.6. Prova 13. Prova di carico statico delle gambe laterali: 2-Usò estremo (05/15/17)

USES

coffee & restaurants, hotels, educational, entertainment, travel, office and waiting areas, retail, health care,