

## COMPONENTS, MATERIALS & FINISHES

Containers, shelves and doors are made of MDF and gloss lacquered in four different colors; NCS 3060-B90G (Green), NCS 3560-Y80R (Red), NCS 7020-R80B (Blue), NCS 8010-R10B (Aubergine). The interiors are always lacquered in matt finish.

5mm glass top painted in the same color of the cabinet is optional. Back part of the cabinet painted in matte is optional. Regulation glides are included in order to fit the different floors.

The doors have steel hidden hinges finished in titanium, installed with an automatic pulse opening spring system.

Coat bar for clothes is an extra accessory for the L version.

## DIMENSIONS & WEIGHT

Three different sizes (mm):

S / 90x120x52cm / 50kg

M / 140x120x52cm / 75kg

L / 180x120x52cm / 105kg

## PACKAGING

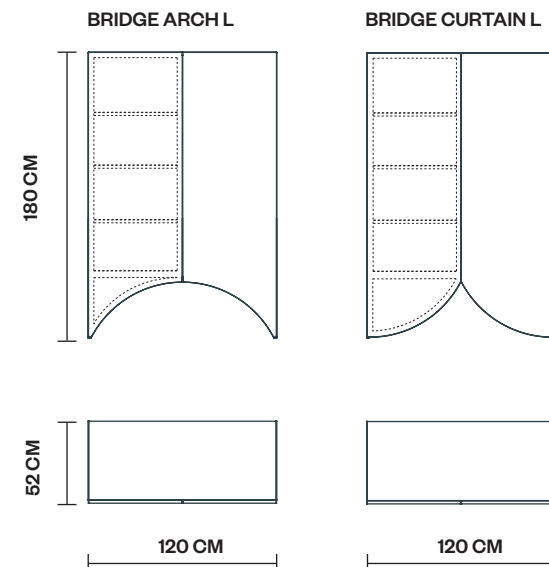
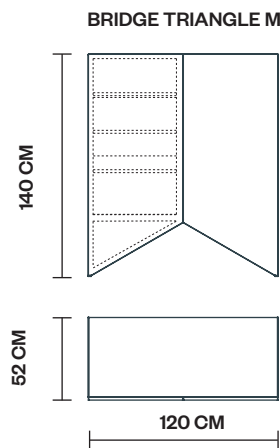
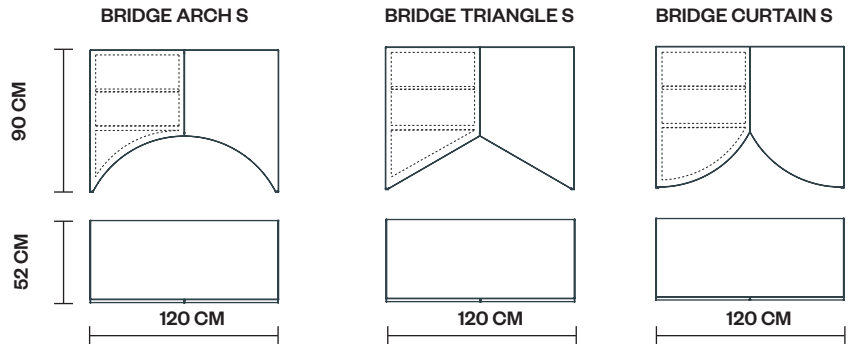
All modules are disassembled and delivered in parts. Containers and doors are sended in flatpack and the glass top in a reinforced wooder case.

The containers can be sent assembled optionally.

## CLEANING AND MAINTENANCE

Clean with a damp cloth or a mild soap, recommended to use a green baize.

Do not use cleaning products with alcohols and solvents or their derivates.



\*Coat rack option

## BD BARCELONA

RAMÓN TURRÓ 126, 08005 BARCELONA (SPAIN)  
(+34) 934 686 909  
BD@BDBARCELONA.COM  
BDBARCELONA.COM

## TECHNICAL DEPARTMENT

CARRETERA CAPELLADES KM 22,750  
NARCÍS MONTURIOL, 7 (POL. SESROVIRES)  
SANT ESTEVE DE SESROVIRES 08635 BARCELONA (SPAIN)  
(+ 34) 937 713 051

