

COMPONENTS, MATERIALS & FINISHES

The structure is made of white painted steel. There is also a wooden structure made of pine and white laminated mdf. The legs are made of solid brushed aluminum with a wax finish. At the end of them there are adjustable feet made of rubber.

The seats have different density polyester foams. The cushions have a mdf and steel base and different density polyester foams.

The upholstery of the whole product is tight and not removable. The fabric options are: Alcantara pannel C/4978 and Combo (Fiberguard) 10 premium. For more BD fabric options, please contact us.

DIMENSIONS AND WEIGHTS

The modules can be grouped in such a way that different sizes and forms of sofas can be obtained. The cushions can also be positioned to the consumer's taste.

There are three seat sizes: 1x1m/39.4x39.4" (34kg/75lb), 1.3x1.3m/51.2x51.2" (40kg/88.2lb) and 2x1.1m/78.7x43.3" (59kg/130.1lb).

There are two different cushion forms, each of them has three different sizes: Triangle form 0.7m/27.6" (12kg/26.5lb), 1m/39.4" (16kg/35.27lb) and 1.3m/51.2" (20kg/44.1lb). And square form 0.7m/27.6" (14kg/30.9lb), 1m/39.4" (19kg/41.9lb) and 1.3m/51.2" (24kg/52.9lb).

PACKAGING

Each seat is packaged with its legs. Cushions are packaged individually in another box.

Model 1M: 1.05x1.05x0.17m / 41.3x41.3x6.7"

Model 1.3M: 1.35x1.35x0.17m / 53.1x53.1x6.7"

Model 2X1.1M: 2.05x1.15x0.17m / 80.7x45.3x0.17"

Cushion Triangular/Square A: 0.4x0.35x0.75m / 15.7x13.8x29.5"

Cushion Triangular/Square B: 0.4x0.35x1.05m / 15.7x13.8x41.3"

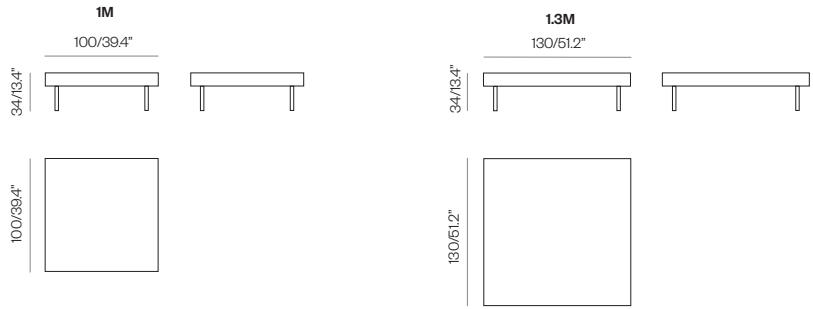
Cushion Triangular/Square C: 0.4x0.35x1.35m / 15.7x13.8x53.1"

CLEANING AND MAINTENANCE

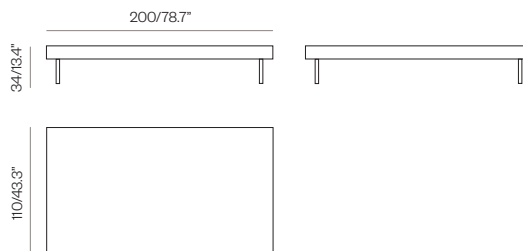
Clean with a damp cloth or a mild soap, recommended to use a green baize.

Do not use cleaning products with alcohols and solvents or their derivates.

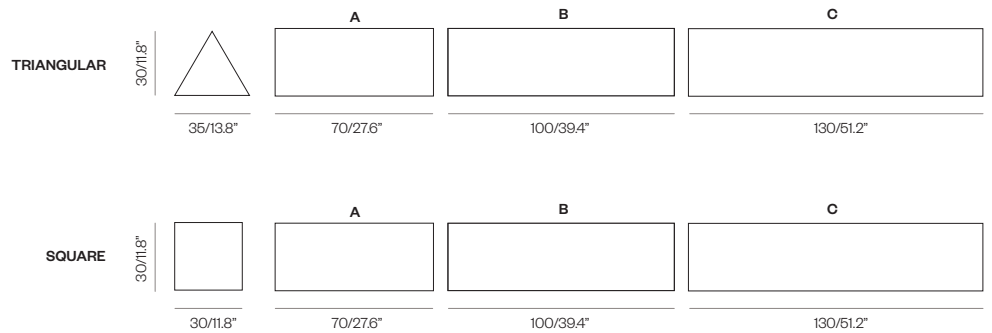
MODELS



2X1.1M



CUSHIONS



Measurements in cm & inches

BD BARCELONA

RAMÓN TURRÓ 126, 08005 BARCELONA (SPAIN)
(+34) 934 686 909
BD@BDBARCELONA.COM
BDBARCELONA.COM

TECHNICAL DEPARTMENT

CARRETERA CAPELLADES KM 22,750
NARCÍS MONTURIOL, 7 (POL. SESROVIRES)
SANT ESTEVE DE SESROVIRES 08635 BARCELONA (SPAIN)
(+ 34) 937 713 051

